

Temporary version, only for reference.

DS-2TD2136-10/15/25

Thermal Network Bullet Camera



Smart Function (Thermal Imaging)

- Smart detection: intrusion detection, line crossing detection, region entrance detection, region exiting detection, audio exception detection
- Smart recording: support edge recording
- Smart encoding: support low bitrate and SVC adaptive codec technology

Thermal Imaging Module Function

- 384*288 resolution, high sensitivity sensor, support contrast adjustment
- Support shutter adjustment in various modes
- 3D DNR, 14 pseudo colors adjustable, image detail enhancement
- Support mirror image
- 10mm, 15mm and 25mm lens optional



Specifications

Parameter		Model	DS-2TD2136-10/15/25		
		Thermal Network Bullet Camera			
Thermal Module	Image sensor	Vanadium Oxide Uncooled Focal Plane Detectors			
	Max. Resolution	384 × 288			
	Response waveband	8~14μm			
	NETD	< 50mk(@25°C,F#=1.0)			
	Reference	Human:1.8mx0.5m	Vehicle: 1.4mx4.0m		
	Lens (focal length)	10mm	15mm	25mm	
	MRAD	1.70	1.13	0.68	
	Detection range (Vehicles)	902m	1353m	2255m	
	Detection range (Humans)	294m	441m	735m	
	Recognition range (Vehicles)	225m	338m	564m	
	Recognition range (Humans)	74m	110m	184m	
	Identification range (Vehicles)	113m	169m	282m	
	Identification range (Humans)	37m	55m	92m	
	Field of View	36° ×27°	24° ×19°	15° ×11°	
	F number	1.0			
Network	Max. image resolution	384×288			
	Main stream	60Hz:30fps(384×288)			
	Sub stream	60Hz:30fps(384×288)			
	Video compression	H.264/MJPEG/MPEG4, H.264 encoding with Baseline/Main/High Profile, H.264+			
	Audio compression	G.711u/G.711a/G.722.1/MP2L2/G726/PCM			
	Protocols	IPv4/IPv6,HTTP,HTTPS,802.1x,Qos,FTP,SMTP,UPnP,SNMP,DNS,DDNS,NTP,RTSP,RTCP,RTP,TCP,UDP,IGMP,ICMP,DHCP,PPPoE,Bonjour			
	Simultaneous live view	Up to 20			
	User/Host level	Up to 32 users, 3 levels: Administrator, Operator, User			
	Security measures	User authentication (ID and PW), MAC address binding, HTTPS encryption, IEEE 802.1x access control, IP address filtering			
Integration	Alarm input	2 inputs (0-5vDC)			
	Alarm output	2 relay outputs, alarm response actions configurable			
	Alarm action	SD recording/Relay output/Smart capture/FTP upload/Email linkage			
	Audio input	1 3.5mm Mic in/Line in interface. Line input: 2-2.4V[p-p], output impedance:1KΩ±10%			
	Audio output	Line level, impedance: 600Ω			
	Reset	1 Reset button			
	Ethernet	1 RJ45 10M/100M Self-adaptive Ethernet interface			
	SD memory card	Built-in Micro SD card slot, support Micro SD/SDHC/SDXC card (up to 64G), support manual/alarm recording			
	Analog video output	1.0V[p-p] / 75Ω, PAL(or NTSC), BNC			
	Application programming	Open-ended API, support ONVIF, PSIA, CGI, HIKVISION SDK and third-party management platform			
	Client	iVMS-4200			
	Web browser	IE7+, Chrome18+, Firefox5.0+, Safari5.02+			
General	Menu language	English			
	Power	AC24V, DC12V, PoE(802.3at)			
	Power Consumption	Default 6W, 18W max(Enable lens deicing)			
	Working temperature Humidity	-40 °C-60°C(-40°F-140°F), Humidity 95% or less (non-condensing)			
	Protection level	IP66			

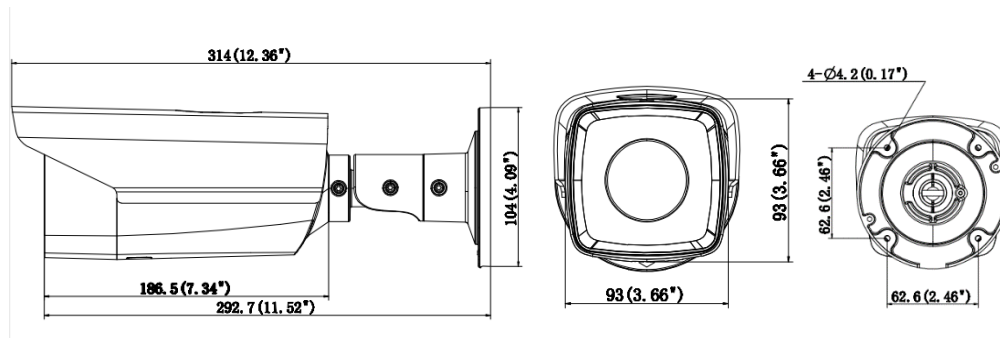
Available Model

DS-2TD2136-10

DS-2TD2136-15

DS-2TD2136-25

Dimensions



Unit: mm

Accessories

Distributed by

Headquarters

No.555 Qianmo Road, Binjiang District,
Hangzhou 310051, China
T +86-571-8807-5998
overseasbusiness@hikvision.com

Hikvision USA
T +1-909-895-0400
sales.usa@hikvision.com

Hikvision Italy
T +39-0438-6902
info.it@hikvision.com

Hikvision Singapore
T +65-6684-4718
sg@hikvision.com

Hikvision Europe
T +31-23-5542770
salesauro@hikvision.com

Hikvision France
T +33(0)11-85-330-444
info.fr@hikvision.com

Hikvision Oceania
T +61-2-8589-4233
salesau@hikvision.com

Hikvision Middle East
T +971-4-8816086
salesme@hikvision.com

Hikvision Spain
T +34-91-737-16-55
info.es@hikvision.com

Hikvision Hong Kong
T +852-2151-1761

Hikvision Russia
T +7-495-669-67-99
saleru@hikvision.com

Hikvision Poland
T +48-22-460-01-50
poland@hikvision.com

Hikvision Canada
T +1-909-895-0400
sales.usa@hikvision.com

Hikvision India
T +91-22-28469900
sales@pramahikvision.com

Hikvision UK
T +44-1628-9021-4
support.uk@hikvision.com